



ProCast Engineered Replacement Parts to fit Flowserve - Durco Mark II** & Mark III

ITT PRO Services offers ProCast® engineered replacement parts for all brands of industrial pumps and rotating equipment. Utilizing global engineering center capability, regional manufacturing resources, combined with the latest available technology, ProCast re-engineers parts to improve hydraulic performance and equipment life cycle. Customers requiring rapid supply of replacement parts due to wide variety of performance issues or obsolescence of existing, but critical rotating equipment can count on ProCast to provide quick and cost effective solutions.

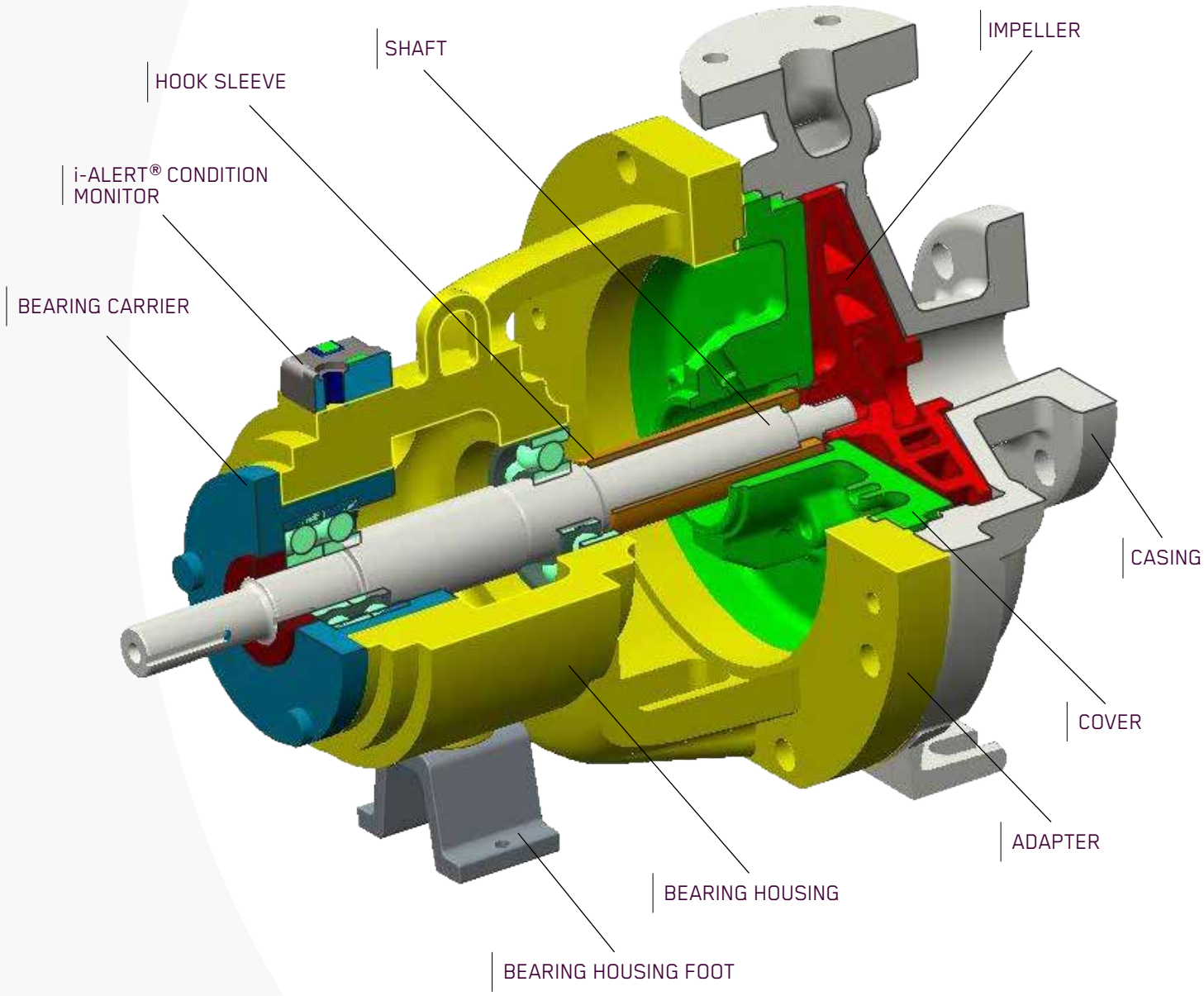


**parts limited for some sizes.

Parts & Power Ends That Meet or Exceed OEM Standards

Stocked in CD4
One Year OEM Warranty
www.procastparts.com

Typical Replacement Parts Available from ProCast for the Flowserve - Durco Mark II & Mark III



Upgrades Available to Improve Reliability and Extend Life of Your Durco Pumps

TaperBore™ Plus Seal Chamber to fit Flowserve (Durco) Mark III ANSI Pumps

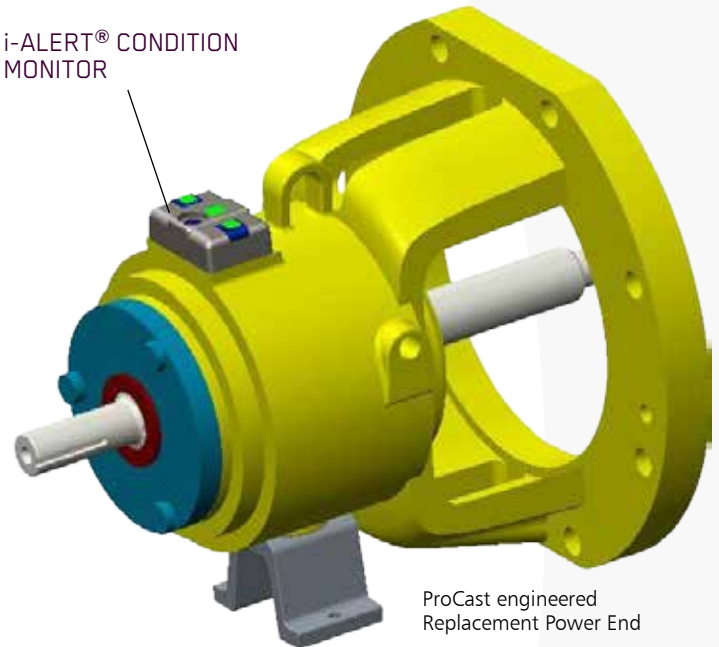
How It Works

The unique flow path created by the Vane Particle Ejector directs solids away from the mechanical seal, not towards the seal as with other tapered bore designs. And, the amount of solids entering the bore is minimized. Air and vapors are also efficiently removed. On services with or without solids, air or vapors, Goulds TaperBore™ PLUS is the effective solution for extended seal and pump life an lower maintenance costs.



Replacement Power Ends with i-Alert Condition Monitor to fit Durco Mark III Pumps

i-ALERT® CONDITION MONITOR

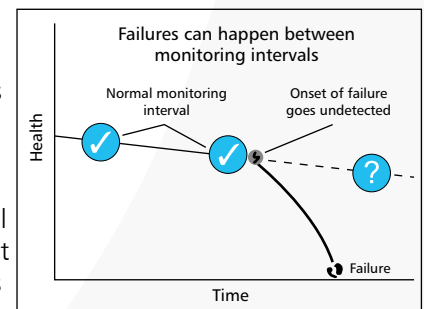


ProCast engineered Replacement Power End

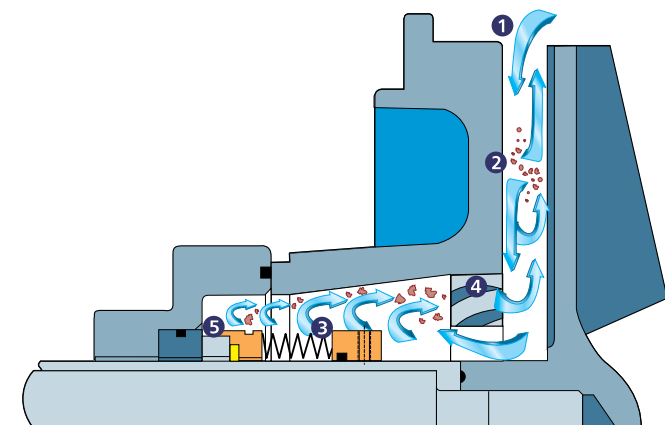
i-ALERT Condition Monitor

The heart of the i-FRAME, the condition monitor unit continuously measures vibration and temperature at the thrust bearing and automatically indicates when pre-set levels of vibration and temperature have been exceeded, so that changes to the process or machine can be made before failure occurs.

A visual indication of pump health makes walk-around inspections more efficient and accurate. The result is a more robust process to monitor and maintain all your ANSI pumps so that your plant profitability is maximized.



A reliability program centered around walk-arounds captures equipment condition on average once a month; the failure process, however, can begin and end quite frequently within this time period.



Parts List

Impellers					
Size	OEM Part No. Reference	List Price CD4 Shaded=stocked	316SS (non-stock)	Alloy 20 (non-stock)	ProCast Part Number
1.5x1-62	KA103RV MY50798A62	yes	yes	yes	F25107
1.5x1-82	KB103RV MY50754A82	yes	yes	yes	F25109
3x1.5-62	KC103RV MY50746A62	yes	yes	yes	F25018
3x1.5-82	KD103RV MY50656A82	yes	yes	yes	F25111
3x2-62	KE103RV MY50723A62	yes	yes	yes	F25113
3x2-82	AF103RV MY46066A82	yes	yes	yes	F25089
4x3-82	AG103 MY46157A82	yes	yes	yes	F25091
2x1-10A	AH103RV MY46952AA100	yes	yes	yes	F25093
3x1.5-10A	AK103RV MY51157A100	yes	yes	yes	F25003
3x2-10	AL103RV MY36862A100	yes	yes	yes	F01161
3x2-10A	AM103RV MY51049A100	yes	yes	yes	F25096
4x3-10	AN103RV MY35641AA100	yes	yes	yes	F25010
4x3-10H	AP103RV MY36877A100	yes	yes	yes	F25098
6x4-10	AQ103RV MY47210AA100	yes	yes	yes	F25100
6x4-10H	AR103RV MY36877A100	yes	yes	yes	F25102
3x1.5-13	AS103RV MY36649AA130	yes	yes	yes	F01162
3x2-13	AT103RV MY49112A130	yes	yes	yes	F25002
4x3-13	AU103RV MY36847AA130	yes	yes	yes	F01164
4x3-13HH	AV103RV MY50171AA130	yes	yes	yes	F25016
6x4-13A	AW103RV MY36846AA130	yes	yes	yes	F01136
8x6-14A	NA103RV MY40103AA140	yes	yes	yes	F01165
10x8-14A	MY48879A140	yes	yes	yes	F25327
10x8-16	NC103RV MY408902A160	not available at this time			F25328
10x8-16H	ND103RV MY48928A160	not available at this time			F25329
6x4-16	NE103RV MY51017A160	yes	yes	yes	F25122
8x6-16	NF103RV MY39056AA160	yes	yes	yes	F01166
8x6-16A	NG103RV MY48888A160	yes	yes	yes	F25124

Covers					
Size	OEM Part No. Reference	CD4 Shaded=stocked	316SS (non-stock)	Alloy 20 (non-stock)	ProCast Part Number
17"	NH106B DY52034A (CBL)*	yes	yes	yes	F25177
	NH106 DY29137A (CBS)*	yes	yes	yes	F25085
16"	NE106D DY53502A (FMS)*	yes	yes	yes	F25178
	NE106E DY53504A (FML)*	yes	yes	yes	F25332
	NE106B DY52032A (CBL)*	yes	yes	yes	F25082
14"	NE106 DY27457AA (CBS)*	yes	yes	yes	F06216
	NA106E DY53501 (FML)*	yes	yes	yes	F25333
	NA106D DY53499A (FMS)*	yes	yes	yes	F25079
	NA106B DY52030A (CBL)*	yes	yes	yes	F25078
13"	NA106 DY28284AA (CBS)*	yes	yes	yes	F12493
	AS106E DY53443A (FML)*	yes	yes	yes	F25335
	AS106D DY53442A (FMS)*	yes	yes	yes	F25015
	AS106B DY52028A (CBL)*	yes	yes	yes	F25070
	AS106 DY21855A (CBS)*	yes	yes	yes	F11043
10"	AH106E DY53440A (FML)*	yes	yes	yes	F25336
	AH106D DY53439A (FMS)*	yes	yes	yes	F25337
	AH106B DY52026A (CBL)*	yes	yes	yes	F13657
8"	AH106E DY21805A (CBS)*	yes	yes	yes	F08137
	AF106D CY53432A (FMS)*	yes	yes	yes	F25338
	AF106E CY46072A (CBS)*	yes	yes	yes	F25147
6" & 8"	AF106B CY52024A (CBL)*	yes	yes	yes	F25063
	AY106E CY52024A (CBL)*	yes	yes	yes	F25073
	AY106E CY22181A (CBS)*	yes	yes	yes	F25073
	KA106D CY53428A (FMS)*	yes	yes	yes	F25339
6" & 8"	KA106J CY54338A (CBS-Jacketed)*	yes	yes	yes	F25376
	KA106B CY52022A (CBL)*	yes	yes	yes	F25340
	KA106E CY53429A (FML)*	yes	yes	yes	F13656
	KA106E CY50617A (CBS)*	yes	yes	yes	F25074
*Cover Design	CBS = Cylindrical Bore Small BC Gland CBL = Cylindrical Bore Large BC Gland FML = Flow Modifier Large BC Gland FMS = Flow Modifier Small BC Gland				Taper Bore Plus Seal chambers available to fit Durco Mark III

Casings					
Size	OEM Part No. Reference	CD4 Shaded=stocked	316SS (non-stock)	Alloy 20 (non-stock)	ProCast Part Number
1.5x1-62	KA100 DY50772A	yes	yes	yes	F25044
1.5x1-82	KB100 DY52981A	yes	yes	yes	F25045
3x1.5-62	KC100 DY50794A	yes	yes	yes	F25046
3x1.5-82	KD100 DY50659A	yes	yes	yes	F25047
3x2-62	KE100 DY50733A	yes	yes	yes	F25048
3x2-82	AF100 DY46070A	yes	yes	yes	F25032
4x3-82	AG100 DY46161A	yes	yes	yes	F25033
2x1-10A	AH100 DY46950A	yes	yes	yes	F25013
3x1.5-10A	AK100 DY50995A	yes	yes	yes	F25034
3x2-10	AL100 CY21802A	yes	yes	yes	F12746
3x2-10A	AM100 DY51040A	yes	yes	yes	F13058
4x3-10	AN100 CY22235A	yes	yes	yes	F06321
4x3-10H	AP100 CY22385A	yes	yes	yes	F25036
6x4-10	AQ100 DY47208A	yes	yes	yes	F25037
6x4-10H	AR100 DY51022A	yes	yes	yes	F25038
3x1.5-13	AS100 CY21853A	yes	yes	yes	F25039
3x2-13	AT100 CY22312A	yes	yes	yes	F25040
4x3-13	AU100 CY22344A	yes	yes	yes	F25041
4x3-13HH	AV100 DY50172A	not available at this time			
6x4-13A	AW100 DY33074A	yes	yes	yes	F06330
8x6-14A	NA100 DY32218AA	yes	yes	yes	F06322
10x8-14	NB100 DY48876AA	yes	yes	yes	F25330
10x8-16	NC100 DY48899AA	yes	yes	yes	F25050
10x8-16H	ND100 DY48925AA	yes	yes	yes	F25331
6x4-16	NE100 DY51013A	not available at this time			
8x6-16	NF100 DY30546A	yes	yes	yes	F06323
8x6-16A	NG100 DY48890AA	yes	yes	yes	F25053
10x8-17	NH100 CY29134A	yes	yes	yes	F25054

Power end Parts				
Size	OEM Part No. Reference	Carbon Steel Shaded=stocked	316SS	ProCast Part No.
Bearing Housing				
Gr.1	1Y119H DY55721B	yes	yes	F25179
Gr.2	2Y119 DY55718A	yes	yes	F25180
Gr.3	3Y119 DY55723A	yes	yes	F25188
Bearing Carrier				
Gr.1	1Y201 CY55739AP	yes	yes	F25181
Gr.2	2Y201 CY55742AP	yes	yes	F25182
Gr.3	3Y201 DY55743AP	yes	yes	F25189
Adapter - Bearing Housing				
Gr.2-8"	YF108 DY46074AAP	yes	yes	F25341
Gr.2-10"	YH108 DY21806ACP	yes	yes	F25183
Gr.2-13"	YI108 DY21857ABP	yes	yes	F25184
Gr.3-14"	YJ108 DY28285ACP	yes	yes	F25190
Gr.3-16"	YE108 DY27463ACP	yes	yes	F25191
Gr.3-17"		Not available at this time		
Feet				
Gr.1	CY55732AK	yes	yes	F25307
Gr. 1 Tall	CY55733AK	yes	yes	F25318
Gr. 1 - 8.25"	CY55736AK	yes	yes	F25216
Gr.2-10"	YS109 CY55736AK	yes	yes	F25276
Gr.2-13"	CY55737AK	yes	yes	F25276
Gr.3-14"	YA109 CY55738AK	yes	yes	F25277
Gr.3-16"		not available at this time		

Shafts				
Size	OEM Part No. Reference	316SS Shaded=stocked	4140 Shaded=stocked	ProCast Part No.
Gr.1	1K105BB CY50682AA (solid)	yes	yes	F13193
	1K105-BB CY50687AA C23 (sleeve design)	yes	yes	F10605
Gr.2	2Y105-BB CY21361AB (solid)	yes	yes	F13589
	2Y105-BB CY32768AA (sleeve design)	yes	yes	F25128
Gr.3	3Z105-BB CY50435A (solid)	yes	yes	F25133
	3Z105-BB CY50439A (sleeve design)	yes	yes	F25132

Sleeves			
Size	OEM Part No. Reference	316SS Shaded=stocked	ProCast Part No.
Gr.1	1K177 AY50691A	yes	F12878
Gr.2	2Z177 AY38913AA	yes	F00105
Gr.3	3Z177 BY39477A	yes	F01247

Mark III Power Ends 2&3 Available with or without Adapter & Foot (see material of construction details below)			
Size	OEM Part No. Reference	Shaded = stocked	ProCast #
Gr.1	1K300 PE1Y5.25 Solid Shaft	yes	F25262
Gr.1	1K302 PE1Y-LHS5.25 Hook Sleeve	yes	F25265
Gr.2	2K303 PE 2YRB Solid Shaft (Power End Only - Less Adapter & Foot)	yes	F25263
Gr.2	2K302 PE2YRB-LHS Hook Sleeve (Power End Only - Less Adapter & Foot)	yes	F25266
Gr.2	2K301G PE2Y-10 Solid Shaft (with 10" Adapter & Foot)	yes	F25268
Gr.2	2K303G PE2Y-10-LHS Hook Sleeve (with 10" Adapter & Foot)	yes	F25269
Gr.2	2K301J PE2Y-13 Solid Shaft (with 13" Adapter & Foot)	yes	F25270
Gr.2	2K303J PE2Y-13-LHS Hook Shaft (with 13" Adapter & Foot)	yes	F25271
Gr.3	3K300 PE3YRC-14 Solid Shaft (Power End Only - Less Adapter & Foot)	yes	F25264
Gr.3	3K302 PE3YRC-LHS Hook Sleeve (Power End Only - Less Adapter & Foot)	yes	F25267
Gr.3	3K301F PE3Y-14 Solid Shaft (with 14" Adapter & Foot)	yes	F25272
Gr.3	3K303F PE3Y-14-LHS Hook Sleeve (with 14" Adapter & Foot)	yes	F25273
Gr.3	3K301G PE3Y-16 Solid Shaft (with 16" Adapter)	yes	F25274
Gr.3	3K303G PE3Y-16-LHS Hook Sleeve (with 16" Adapter)	yes	F25275
Power End Construction Details	Shaft		316SS
	Sleeve		316SS
	Bearing Housing		Cast Iron
	Bearing Carrier		Cast Iron
	Adapters		Carbon Steel
	Feet		Cast Iron
Bearing Isolators		Labyrinth	
Site Gage 1" NPT			